



DUMP



BULK TRANSFER



SNOW & ICE



REFUSE & WASTE



REFUSE & WASTE



OIL & GAS

## HELPFUL INFORMATION

**ORDERING** – Orders can be placed with us by phone, fax or email at [sales@apscopower.com](mailto:sales@apscopower.com)

**SHIPPING** – All orders will be shipped via APSCO’s default method, UPS ground, with freight invoiced to the customer unless otherwise specified at the time of order. APSCO facilitates drop shipments at no extra charge.

**RETURNS** – Unused, standard products may be returned to APSCO for full credit within 30 days of purchase. A 20% restocking fee is charged thereafter.

**AN RMA IS REQUIRED FOR ALL RETURNS.**

**QUALITY** – APSCO commitment to quality was recognized by becoming certified to ISO 9001:2000 in 2004. Our continued commitment to quality in all of our processes is reflected by our current certification ISO 9001:2015.

**WARRANTY** – All APSCO products are warranted for 1 year of service, but in no case more than 2 years beyond the original date of purchase. Contact us to obtain a copy of our warranty statement.

### APSCO, Inc.

8178 E 44th Street  
Tulsa, OK. 74145

voice +1.918.622.5600  
fax +1.918.628.2853

[sales@apscopower.com](mailto:sales@apscopower.com)  
[www.apscopower.com](http://www.apscopower.com)

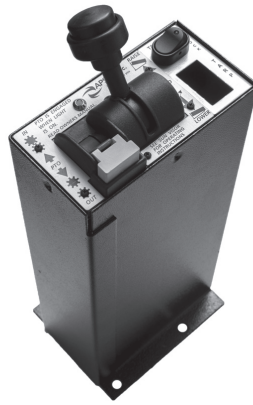
<b>AV Series</b>	<b>1</b>
<b>Dump Pump Actuators</b>	<b>2</b>
<b>Hydraulic Value Actuators</b>	<b>2</b>
<b>VM Controls</b>	<b>3</b>
<b>VM Consoles</b>	<b>4</b>
<b>Lift Axle Panel/Consoles</b>	<b>5</b>
<b>Pedestal</b>	<b>6</b>
<b>Tailgate Cylinders</b>	<b>7</b>
<b>Hi-Lift Cylinders</b>	<b>8</b>
<b>Clevis &amp; Pins</b>	<b>9</b>
<b>Valves &amp; Switches</b>	<b>10</b>
<b>Air Compressor Kits/Seal Kits</b>	<b>11</b>
<b>PTO Control Kits</b>	<b>12</b>
<b>Winch Kits</b>	<b>13</b>
<b>Cylinder Spec Worksheet</b>	<b>14</b>
<b>Parts index</b>	<b>Index</b>

Management System Certification





**AV-295**  
(PTO and Hoist)



**AVC-295-TGMT-13**  
(PTO, Hoist, Tailgate and opening for TARP switch)



**AV-195**  
(Hoist only)

**FEATURES AND BENEFITS AV-295 SERIES**

The original AV Series Valve provides compact, consolidated controls for P.T.O., dump pump and tailgate latch. Available as a stand-alone valve or as a console, operating a dump body has never been easier.

**FEATURES INCLUDE:**

- Controlled lowering
- Automatic disengagement of P.T.O. in lower-position
- Safety latch on P.T.O. switch to prevent accidental engagement
- LED light
- Push to connect fittings

**FEATURES AND BENEFITS AV-195**

The AV-195 is designed to address the needs of vehicles that have electric PTOs or PTO controls already installed in cab of the vehicle. Benefiting from years of dependable design, and quality manufacturing processes, the AV-195 offers metering hoist control in lower and is available with all the same console options as the AV-295. Dead-man handle and tailgate controls are also optional.

Product Model	Metering (In Lower) Hoist Control	Automatic PTO Kickout	Spring To Neutral Raise Only Dead Man Handle	8" Console	13" Console	30' Roll Of Tubing Included	Integrated Tailgate Lock	Tarp Switch Opening
---------------	-----------------------------------	-----------------------	--	------------	-------------	-----------------------------	--------------------------	---------------------

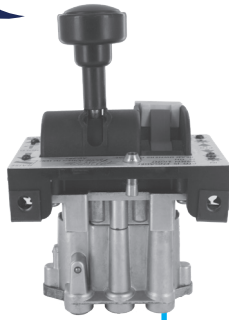
VALVE								
AV-195	•							
AV-195-DMH	•	•						
AVC-195-8	•		•					
AVC-195-DMH-8	•	•	•					
AVC-195-TG-8	•		•				•	
AVC-195-13	•				•			
AVC-195-DMH-13	•				•			
AVC-195-TG-13	•				•		•	
AV-295	•	•						
AVC-295-8	•	•		•				
AVC-295-T-8	•	•		•		•		
AVC-295-13	•	•			•			
AVC-295-T-13	•	•			•	•		
AVC-295-TG-8	•	•		•			•	
AVC-295-TG-13	•	•			•		•	
AV-295-M	•							
AVC-295-M-8	•			•				
AVC-295-M-T-8	•			•		•		
AVC-295-M-13	•				•			
AVC-295-M-T-13	•				•	•		
AVC-295-M-TG-8	•			•			•	
AVC-295-M-TG-13	•				•		•	
AV-295-DMH	•	•	•					
AVC-295-DMH-8	•	•	•	•				
AVC-295-DMH-13	•	•	•		•		•	
AVC-295-TGMT-13	•	•				•	•	•
AVC-295-TGMT-M-13	•					•	•	•

**AV CONSOLE OPTIONS**

AV CONSOLES AND ACCESSORIES	
PART NUMBER	DESCRIPTION
3239-8	8" Console for AV-195-& AV-295
3239-13	13" Console for AV-195-& AV-295
3239-W8	8" Console for AV-195-& AV-295 with tailgate latch valve
3239-W13	13" Console for AV-195-& AV-295 with tailgate latch valve
4653-8	8" Console for AV-195-& AV-295 with mounting flanges @ 90 degrees
EC-PTO (Hot Shift Option)	Air over electric switch kit. Paired with APSCO's AV-295, converts the pneumatic PTO output to an electrical signal For hot shift PTO.

See the next page for an illustration of how the EC-PTO works.

Should you not find what you are looking for, contact us at (918) 622-5600  
Visit [www.apscopower.com](http://www.apscopower.com) for installation instructions and dimensional drawings



**AV-295 PTO & HOIST CONTROL**

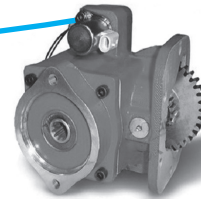
**1/4" DOT TUBING**



**EC-PTO**

**16 GAUGE WIRE**

**HOT SHIFT PTO**



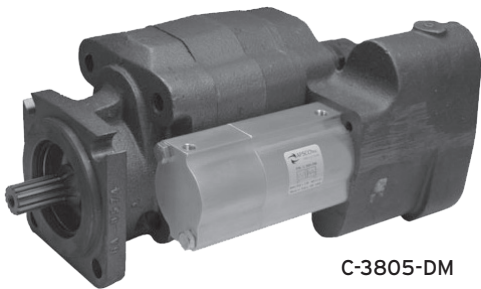
### HOT SHIFT PTO OPTION

Paired with APSCO's AV-295 valve the EC-PTO converts the pneumatic PTO output to an electric signal.

The EC-PTO kit allows for fully integrated hoist/PTO control for hot shift PTO's.

Hot Shift PTO's can now be automatically "kicked out" when hoists are lowered using the APSCO EC-PTO kit

## DUMP PUMP ACTUATORS



C-3805-DM

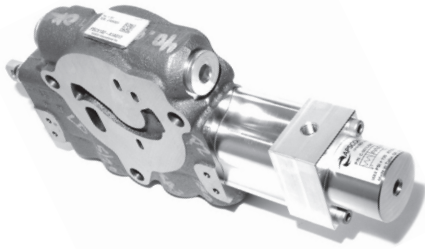
### DUMP-PUMP METERING

Cylinder #	Manufacturer	Application
C-3805-DM	Parker (Commercial)	C101/102
	Permco	DM640/DMD25
	Muncie	E/E2XL

### DUMP-PUMP NON-METERING

Cylinder #	Manufacturer	Application
C-3505-DM	Parker (Commercial)	C101/102
	Permco	DM640/DMD25
	Muncie	E/E2XL
C-3508-DM	Parker (Commercial)	G101/102
	Muncie	S2
C-3503-DM	Permco	DM300, DM400
C-2529	Williams	Series 4 (3 Bolts)
C-2533	Williams	Series 6, 7, 8 (4 Bolts)

Should you not find what you are looking for, contact us at (918) 622-5600  
 Visit [www.apscopower.com](http://www.apscopower.com) for installation instructions and dimensional drawings



C-3872-DM



C-3846-DM



C-3526-DM



C-3826-DM



C-3835-DM

## METERING ACTUATORS

PART #	MANUFACTURER	APPLICATION
C-3820-DM	Parker (Commercial)	A20
	Muncie	60
C-3835-DM	Parker (Commercial)	A35
	Muncie	90
C-3826-DM	Parker (Gresen)	V20
	Prince	20
C-3840-DM	Parker (Gresen)	V40
C-3841-DMEC	Brevini	HPV41
C-3845-DM	Husco	5000 Series / 5/16" 24
C-3845-DM-CC	Husco	5001 Series / 3/8" 24
C-3850-DM	Brevini	DCV50
C-3846-DM	Brevini	DCVMG
C-3880-DM	Brevini	DCV80
C-3832-DM	Sauer Danfoss	PVG 32
C-3832-DM-CS	Sauer Danfoss	PVG 32 Closed Spool - Configured with TO Components
C-3872-DM	Husco	SCX Series
6025782-001	Eaton	CM120
6026778-001	Eaton	CM80
C-3833-DM	HydroControls	D-12 LS
C-3834-DM	HydroControls	D-12
		DVS-20
C-3836-DM	HydroControls	D4
C-3893-DM	HydroControls	D4-LS
C-3894-DM	HydroControls	D-16

## NON-METERING ACTUATORS

PART #	MANUFACTURER	APPLICATION
C-3520-DM	Parker (Commercial)	A20
	Muncie	60
C-3535-DM	Parker (Commercial)	A35
	Muncie	90
C-3525-DM	Parker (Gresen)	25P
C-3526-DM	Parker (Gresen)	V20
	Muncie	V20
	Prince	20
C-3526-DMK4	Parker (Gresen)	V20-K4 Float
C-3540-DM	Parker (Gresen)	V40
C-3542-DM	Parker (Gresen)	V42
C-3590-DM	Parker (Gresen)	V70 / V90
HG-44*	Parker (Gresen)	440LCHA
HG-75*	Parker (Gresen)	DS-75
HGS-75*	Parker (Gresen)	S75 / S100
C-3527-DM	Parker (Gresen)	V20 Alternative
C-3560-DM	Parker Commercial / Kontak	K-18
C-3522-DM	Rexroth	MP-18
C-3514-DM	Rexroth	M4-12
C-3570-DM	Cross	BA Series
C-3531-DM	Heil	031-6131
C-3551-DM	Prince	RD5100 Monoblock RD5200 Monoblock RD5300 Monoblock
C-3578-DM	Prince	SV Series
C-3552-DM	Prince	DS-4A1E
C-3546-DM	Husco	6000 Series -3/8"- 24
C-3572-DM	Husco	SCX Series

Should you not find what you are looking for, contact us at (918) 622-5600

Visit [www.apscopower.com](http://www.apscopower.com) for installation instructions and dimensional drawings

## VM - SINGLE AXIS VALVES - CONTINUOUS CONNECTION TECHNOLOGY

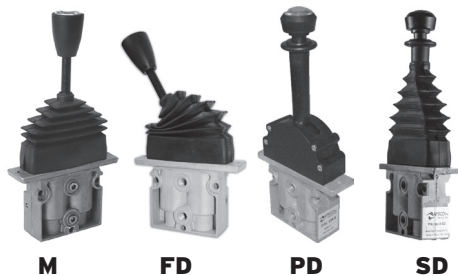
### STEP 1: SELECT DETENT OPTION

PART#			
VM-7	M	N	M
VM-8*	M	PD	M
VM-8-SD**	M	SD	M
VM-9	PD	PD	PD
VM-9-SD**	PD	PD	PD
VM-11	M	N	CD
VM-12	M	PD	PD
VM-12-SD**	M	PD	PD
VM-13	CD	N	CD
VM-15**	FD	PD	FD

**M= MOMENTARY**      **N=NEUTRAL**  
**PD=POSITIVE DETENT**      **FD=FRICTION DETENT**  
**CD=CLIP DETENT**

\* Note VM-8 and VM-9 are only available with straight handle

\*\* Note VM-8-SD has a stainless steel detent and rubber boot



### STEP 2: SELECT HAND OFFSET

OPTION	SUFFIX
0 DEGREES	N/A
20 DEGREES	-20
35 DEGREES	-35
45 DEGREES	-45
55 DEGREES	-55

### STEP 3: SELECT DETENT OPTION

OPTION	SUFFIX
NONE	N/A
LIGHT KIT	-LK
ON/OFF SWITCH	-EO
MOMENTARY SWITCH	-EM

STEP 1	STEP 2	STEP 3
VM-11	-35	-LK

**Example Part # VM-11-35-LK**

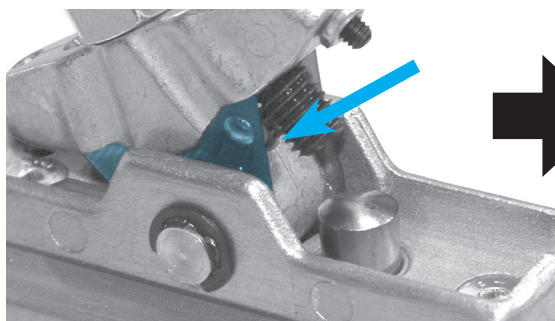
Metering Valve with one position clip detent, 35 degree offset handle and light kit

### ELECTRICAL RATINGS

	On/Off	Momentary
<b>LOAD</b>		
Restrictive	10A	10A
Inductive	5A	5A
Lamp	1A	3A
Motor	3A	-
Electrical Life (Cycles)	25,000	100,000
Seal	IP64	IP64

\*Sea Level @28VDC or 115VAC, 60/400Hz

### CONTINUOUS CONNECTION TECHNOLOGY



APSCO now offers its VM Series valves fitted with electrical switches and back lights. Where as before only the valve handle was available with these options, switches and light kits are now available in these inclusive assemblies.

### FEATURES AND BENEFITS

APSCO's Patented "Continuous Connection Technology" (patent #8581129) utilizes a rotary connection to eliminate the use of wire to bridge the rocker assembly. This allows power to be routed to the handle, uninterrupted, eliminating wire fatigue, chaffing and pinching associated with traditional designs.

See the next page for how to build Valve Bank part number

Should you not find what you are looking for, contact us at (918) 622-5600

Visit [www.apsco.com](http://www.apsco.com) for installation instructions and dimensional drawings

## VALVE BANK ORDERING - HOW TO BUILD A PART NUMBER

### EXAMPLE 1

# Sections in Bank: VM7 - 4B

Valve Call Out - Left to Right: 35 20 20 35


Sub-components: VM-7-35, VM-7-20, VM-7-20, VM-7-35

### EXAMPLE 2

# Sections in Bank: VM7 - 5B

Valve Call Out - Left to Right: 35 1120A 8 20EM 35

Sub-components: VM-7-35, VM-11-20 Detent Forward, VM-8, VM-7-20-EM, VM-7-35



### KEY

Default = VM-7	S = Straight Handle	LK = Light Kit	A = Clip Detent Forward
8 = VM-8	20 = 20 Degree Handle	EO = On/Off Switch	B = Clip Detent Back
9 = VM-9	35 = 35 Degree Handle	EM = Momentary Switch	
11 = VM-11	45 = 45 Degree Handle		
12 = VM-12	55 = 55 Degree Handle		
13 = VM-13			
15 = VM-15			
SP = 4464 Spacer			

## VM SERIES - DUAL AXIS

### VM - DUAL AXIS VALVES - CONTINUOUS CONNECTION TECHNOLOGY

#### STEP 1:

#### SELECT DETENT OPTION

PART#	
VM-10	Quad Control Valve 4.33" Sq.
VM-10-W	Quad Control Valve Williams Plate
VM-10-C	Quad Control Valve 4.25" Dia.
VM-10-R	Quad Control Valve 4.93" Dia.

#### STEP 2:

#### SELECT ELECTRICAL OPTION

OPTION	SUFFIX
NONE	N/A
LIGHT KIT	-NR-LK
ON/OFF SWITCH	-NR-EO
MOMENTARY SWITCH	-NR-EM
3 POSITION MOMENTARY SWITCH	-NR-3M

#### STEP 3:

#### SELECT DETENT OPTION

OPTION	SUFFIX
NONE	N/A
DETENT CLIP	-D



VM-10-C



VM-10-NR-D

STEP 1	STEP 2	STEP 3
VM-10-C	-NR-LK	-D
<p>Example Part # VM-10-C-NR-LK-D</p> <p>Quad Control Valve with 4.33" dia. mounting plate, light kit and detent clip.</p>		

#### ELECTRICAL RATINGS

	On/Off	Momentary
<b>LOAD</b>		
Restrictive	10A	10A
Inductive	5A	5A
Lamp	1A	3A
Motor	3A	-
Electrical Life (Cycles)	25,000	100,000
Seal	IP64	IP64

\*Sea Level @28VDC or 115VAC, 60/400Hz

Should you not find what you are looking for, contact us at (918) 622-5600  
 Visit [www.apscopower.com](http://www.apscopower.com) for installation instructions and dimensional drawings



CONV-APS-1



CONV-UNI-4



CONV-APS-7

## CONSOLES

Features and Benefits:

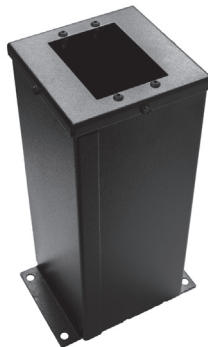
- Private Label Available
- Standard consoles available covering all typical applications
- Stainless lid provides a clean consistent professional finish
- Screen printed verbiage provides user-friendly, safe application
- Supplied pre-plumbed and assembled - reducing installation time and costs

PART#	APPLICAITON	H	W	L	HOIST	T.G. LATCH	AUX	AUX 2	P.T.O.	QUAD PLOW CONTROL	STROBE	PLOW LIGHT	BRAKE BAND	CLUTCH CONTROL	WINCH IN / OUT	WORK LIGHT	SPEED FAST / SLOW	ROTARY SWITCH OPENING
CONV-UNI-4	Dump	14"	12"	8"	Y	Y	O	O	Y	Y	Y	Y	N	N	N	N	N	N
CONV-APS-1	Winch	14"	8"	7"	N	N	N	N	Y	N	Y	N	Y	Y	Y	Y	Y	N
CONV-APS-5	Winch	13"	6"	6"	N	N	N	N	Y	N	N	N	Y	Y	N	N	N	N
CONV-APS-7	Dump	13"	6"	6"	Y	Y	N	N	Y	N	N	N	N	N	N	N	N	Y

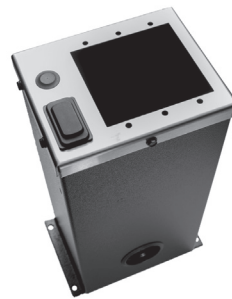
# VM CONSOLES



CONB-1-S



CONB-2



CONB-3R

PART#	CONSOLE ACCOMIDATES	HEIGHT	WIDTH	LENGTH
CONB-1-S	(1) x VM-7	13"	4.56"	5.25"
CONB-1-S8	(1) x VM-7	8"	4.56"	5.25"
CONB-1-R	(1) x VM-7, (1) VR-9-S (rocker)	13"	5.25"	5.25"
CONB-2	(2) x VM-7	13"	5.25"	5.25"
CONB-2-R	(2) x VM-7, (1) VR-9-S (rocker)	14"	7.25"	6.75"
CONB-3-R	(3) x VM-7, (1) VR-9-S (rocker)	14"	7.25"	6.75"
CONB-4	(4) Bank VM-7	14"	8"	7"
CONB-Q	(1) x VM-10	13"	5.25"	5.25"
4648	BLANK		4.299"	4.313"
4464	SPACER			

Should you not find what you are looking for, contact us at (918) 622-5600  
 Visit [www.apscopower.com](http://www.apscopower.com) for installation instructions and dimensional drawings





### CONTROLS

APSCO'S lift axle control panels are made with a 14 gauge stainless steel face plates populated with a push pull valve, regulator and illuminated gauge. This panel is also offered with an electric solenoid to facilitate steerable lift axles, raising the axle when put in reverse gear.

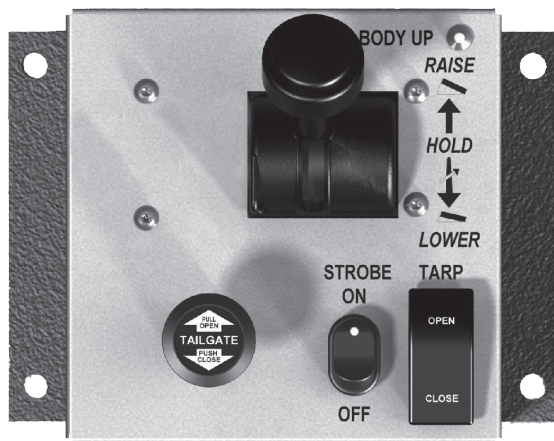
### FEATURES AND BENEFITS

- Pre-plumbed offers quick, easy installation
- Illuminated gauge
- 3/8" and 1/4" outlets available
- Optional electric solenoid available with auto lift activation when docking vehicle with steerable axle.
- When energized the valve shifts and will remain switched until it is manually reset by pushing in the spool on the valve
- Private label available for volume orders

PART #	LIFT AXLE PANEL DESCRIPTION
CON-3A	Lift axle panel with 3/8" fittings
CON-3A-25	Lift axle panel with 1/4" fittings
CON-3AE	Lift axle panel with 3/8" fittings and electric solenoid
CON-3AE-25	Lift axle panel with 1/4" fittings and electric solenoid

PART #	COMPONENTS
VX-4	2 Position 4 way push-pull valve w/ 1/4" ports
RK-1600	Pressure regulator 1/4" ports 135 CFM @ (100PSI (0-125PSI)
4423	OBSOLETE replaced by 6000
6000	Illuminated gauge (0-160 PSI)
VL-5-ES	2 Position 4 way push-pull valve w/ 1/4" ports and solenoid

## CUSTOM CONSOLES



### CUSTOM CONSOLES FOR OE'S

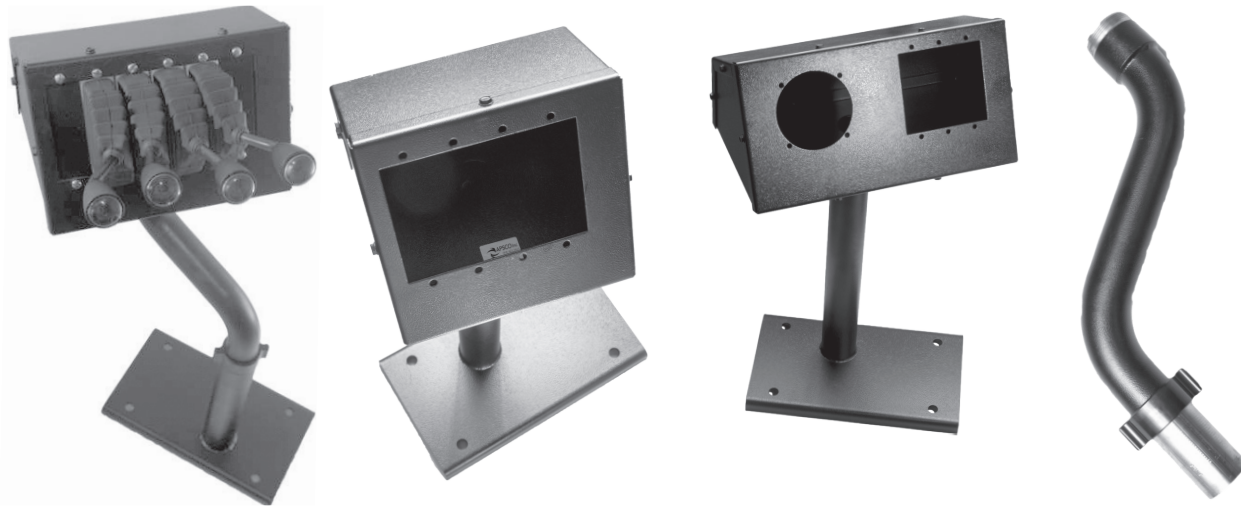
Let APSCO work with you and develop a control console that meets your needs and application. We will work closely with you and design a control console that will bring savings to your operation and value to your customers.

### FEATURES AND BENEFITS

- Private Label Available
- Standard consoles available covering all typical applications
- Stainless lid provides a clean consistent professional finish
- Screen printed verbiage provides user-friendly, safe application
- Supplied pre-plumbed and assembled - reducing installation time and costs

Should you not find what you are looking for, contact us at (918) 622-5600

Visit [www.apscopower.com](http://www.apscopower.com) for installation instructions and dimensional drawings



### POSI-LOCK Pedestals

The New Posi-Lock Pedestal™ (Patent # 7,568,666) is designed to house APSCO's VM Series valves. The Posi-Lock Pedestal™, once mounted to the floor, can be unlocked and rotated into any position. A simple 1/4" turn releases the pedestal head or "S" tube, and another simple 1/4" turn provides a positive lock. So simple that controls can be swung in for operation, swung out of the way when its time to drive on.

### FEATURES AND BENEFITS

- Available in 4 heights
- Configurations available to hold up to 8 VM Series valves
- Removable rear cover for easy access
- Simple installation saves time and labor costs
- Round tubing and smooth curves allow 1/4" tubing to be installed snag-free with ease
- Will house up to 18 (ea) 1/4" tubes
- Functional, ergonomic design provides user-friendly operation

PEDESTAL #	VALVE OPTIONS	BASE	LENGTH	WIDTH	HEIGHT
PED-4-11	(4) Bank; VM-7 Series	11.00"	7.60"	7.00"	30.5"
PED-4-11-2P	(4) Bank; VM-7 Series	11.00"	7.60"	7.00"	19.70"
PED-4-15	(4) Bank; VM-7 Series	15.00"	7.60"	7.00"	34.50"
PED-4-15-2P	(4) Bank; VM-7 Series	15.00"	7.60"	7.00"	23.70"
PED-6-11	(6) Bank; VM-7 Series	11.00"	10.50"	7.00"	30.50"
PED-6-11-2P	(6) Bank; VM-7 Series	11.00"	10.50"	7.00"	19.70"
PED-6-15	(6) Bank; VM-7 Series	15.00"	10.50"	7.00"	34.50"
PED-6-15-2P	(6) Bank; VM-7 Series	15.00"	10.50"	7.00"	23.70"
PED-8-11	(8) Bank; VM-7 Series	11.00"	13.30"	7.00"	30.50"
PED-8-11-2P	(8) Bank; VM-7 Series	11.00"	13.30"	7.00"	19.70"
PED-8-15	(8) Bank; VM-7 Series	15.00"	13.30"	7.00"	34.50"
PED-8-15-2P	(8) Bank; VM-7 Series	15.00"	13.30"	7.00"	23.70"
PED-10-3-11	(1) VM-10 & (3) VM-7 Series	11.00"	13.30"	7.00"	30.50"
PED-10-3-11-2P	(1) VM-10 & (3) VM-7 Series	11.00"	13.30"	7.00"	19.70"
PED-10-3-15	(1) VM-10 & (3) VM-7 Series	15.00"	13.30"	7.00"	34.50"
PED-10-3-15-2P	(1) VM-10 & (3) VM-7 Series	15.00"	13.30"	7.00"	23.70"

**KEY:** 2P - Base + Head Assembly  
 3P - Base + S-Tube + Head Assembly

Should you not find what you are looking for, contact us at (918) 622-5600  
 Visit [www.apscoenergy.com](http://www.apscoenergy.com) for installation instructions and dimensional drawings



## CYLINDERS - TAILGATE SERIES



### OPTIONS

- Any cylinder can be ordered complete with clevis and pins
- Spring return cylinders are also available.
- Various stroke lengths available upon request.

APSCO products have been designed and manufactured for the heavy duty truck and mobile equipment industries. Our quality is designed into our cylinders in order to stand up to the harsh application and extreme conditions.

With a variety of strokes and bores to fit nearly any body or trailer, APSCO tailgate latch cylinders have become the leader in the industry for both OEM and aftermarket replacement parts

CYLINDER PART #	DESCRIPTION	BORE	STROKE	PORT	P-ROD THREAD	FORCE @ 100 PSI
C-5026-PK	CYL. 2.5 X 6 DA 10 BR	2.50"	6.00"	1/4"NPT	5/8"-18	490 LBS
C-5026S-PK	CYL. 2.5 X 6 DA 10 BR	2.50"	6.00"	1/4"NPT	5/8"-18	490 LBS
C-5091	CYL. 2.5 X 6 SE	2.50"	6.00"	1/4"NPT	5/8"-18	490 LBS
C-5092-PK	CYL. 2.5 X 6 DA 10 RE	2.50"	6.00"	1/4"NPT	5/8"-18	490 LBS
C-5075-PK	CYL. 2.5 X 7.5 DA 10 BR	2.50"	7.50"	1/4"NPT	5/8"-18	490 LBS
C-5070-PK	CYL. 2.5 X 8 DA 10 BR	2.50"	8.00"	1/4"NPT	5/8"-18	490 LBS
C-5070S	CYL. 2.5 X 8 DA 10 BR	2.50"	8.00"	1/4"NPT	5/8"-18	490 LBS
C-5072	CYL. 2.5 X 8 DA 10 BR	2.50"	8.00"	1/4"NPT	5/8"-18	490 LBS
C-5094	CYL. 2.5 X 8 DA 10 BR	2.50"	8.00"	1/4"NPT	5/8"-18	490 LBS
C-5450	CYL. 2.5 X 8 DA 8 BR	2.50"	8.00"	1/4"NPT	5/8"-18	490 LBS
C-6004	CYL. 3.5 X 8 DA 12NC BE	3.50"	8.00"	1/4"NPT	3/4"-10	962 LBS
C-5080	CYL. 2.5 X 10 DA 8 BR	2.50"	10.00"	1/4"NPT	5/8"-18	490 LBS
C-5081-PK	CYL. 2.5 X10 DA 10 BR	2.50"	10.00"	1/4"NPT	5/8"-18	490 LBS
C-5331-PK	CYL. 2.5 X 14 DA 8 BR	2.50"	14.00"	1/4"NPT	5/8"-18	490 LBS
C-6053S-PK	CYL. 3.5 X 6.00 DA 10 BR	3.50"	6.00"	1/4"NPT	5/8"-18	962 LBS
C-6057-PK	CYL. 3.5 X 6 DA 10 BR	3.50"	6.00"	1/4"NPT	5/8"-18	962 LBS
C-6063	CYL. 3.5 X 6 DA 12NC BE	3.50"	6.00"	1/4"NPT	3/4"-10	962 LBS
C-6084-PK	CYL. 3.5 X 6 DA 10 BR	3.50"	6.00"	1/4"NPT	5/8"-18	962 LBS
C-6086-PK	CYL. 3.5 X 6 DA 16NS BR	3.50"	6.00"	1/4"NPT	1"-14	962 LBS
C-6009-PK	CYL. 3.5 X 8.00 DA 10 BR	3.50"	8.00"	1/4"NPT	5/8"-18	962 LBS
C-6011-PK	CYL. 3.5 X 8.00 DA 10 BR	3.50"	8.00"	1/4"NPT	5/8"-18	962 LBS
C-6023-PK	CYL. 3.5 X 8.00 DA 10 BR	3.50"	8.00"	1/4"NPT	5/8"-18	962 LBS
C-6059-F-PK	CYL. 3.5 X 8.00 DA 10 BR	3.50"	8.00"	1/4"NPT	5/8"-18	962 LBS
C-6059-E-PK	CYL. 3.5 X 8.00 DA 10 BR W/SOLENOID	3.50"	8.00"	1/4"NPT	5/8"-18	962 LBS
C-6059-E-PK-WP	CYL. 3.5 X 8.00 DA 10 BR W/SOLENOID	3.50"	8.00"	1/4"NPT	5/8"-18	962 LBS
C-6080	CYL. 3.5 X 8 DA 12 NC BE	3.50"	8.00"	1/4"NPT	3/4"-10	962 LBS
C-6081-PK	CYL. 3.5 X 8 DA 16NS BR	3.50"	8.00"	1/4"NPT	1"-14	962 LBS
C-6089-PK	CYL. 3.5 X 8.00 DA 10 BR	3.50"	8.00"	1/4"NPT	5/8"-18	962 LBS
C-6090-PK	CYL. 3.5 X 14.00 DA 10 BR	3.50"	8.00"	1/4"NPT	5/8"-18	962 LBS
C-6092-HM	CYL. 3.5 X 8 DA 10 BR	3.50"	8.00"	1/4"NPT	5/8"-18	962 LBS
C-6010	CYL. 3.5 X 10.00 DA 10 BR	3.50"	10.00"	1/4"NPT	5/8"-18	962 LBS
C-0410-SR	CYL. 4 X 4.6 SR TR	4.00"	4.60"	1/4"NPT	3/4"-16	285 LBS
C-0411-SR	CYL. 4 X 4.6 SR TR	4.00"	4.60"	3/8"NPT	3/4"-16	661 LBS
C-0406-PK	CYL 4 X 6 DA 16 BE PK	4.00"	6.00"	1/2"NPT	1"-14	1257 LBS

### KEY

1 - 1.0" Pins

B or BE - Block End (Rod)

FC - Flow Control

M - Muffler

PK - Pin Kit

DA - Double Acting

BR - Bracket Mount

WP - Weather Pack

Should you not find what you are looking for, contact us at (918) 622-5600

Visit [www.apscopower.com](http://www.apscopower.com) for installation instructions and dimensional drawings

APSCO products have been designed and manufactured for the heavy duty truck and mobile equipment industries. Our quality is designed into our cylinders in order to stand up to the harsh application and extreme conditions.



### STANDARD

The APSCO tie rod style HI-LIFT cylinders come in a variety of strokes and bores. Designed for the harsh application all APSCO HI-LIFT cylinders are designed with rod wipers as well as bearing blocks on the longer strokes.



### TWIN

In the past dump bodies with higher sides and gates had to sacrifice bed width to accommodate the larger bore cylinders needed to lift the heavier gate, while staying within DOT regulations. APSCO engineers designed the perfect solution by creating the twin. The twin hi-lift cylinder provides the necessary force to raise the heavier tailgates while not sacrificing dump bed volume. (Patent# 7976105)



### ROUND

APSCO'S round cylinder design was developed in response to OEM initiatives to take weight out of the trailer and body designs. Our design eliminates the traditional tie rods and end caps resulting in weight savings up to 45% over traditional designs. Available in 4" bores.

CYL PART #	DESCRIPTION	BORE	STROKE	PORT	P-ROD THREAD	FORCE @ 100 PSI
C-6224-PK-M	CYL 3.5 X 24 DA 16 BR PK (TWIN TIE ROD)	Twin 3.50"	24.00"	3/8-18	1"-14	1924 LBS
C-7402-B-PK	CYL 4 X 20 DA 16 BR PK BE (TIE ROD)	4.00"	20.00"	1/4-18	1"-14	1257 LBS
C-7402-PK	CYL 4 X 20 DA 16 BR PK (TIE ROD)	4.00"	20.00"	1/4-18	1"-14	1257 LBS
C-7421-PK-M	CYL 4 X 21 DA 16 BR PK (TIE ROD)	4.00"	20.00"	3/8-18	1"-14	1257 LBS
C-0424-PK	CYL 4" x 24" (ROUND)	4.00"	24.00"	3/8-18	1"-14	1257 LBS
C-0424-PK-1	CYL 4" x 24" (ROUND)	4.00"	24.00"	3/8-18	1"-14	1257 LBS
C-7404-PK	CYL 4 X 24 DA 16 BR PK (TIE ROD)	4.00"	24.00"	1/4-18	1"-14	1257 LBS
C-7424-B	CYL 4 X 24 DA 16 BR BE (TIE ROD)	4.00"	24.00"	3/8-18	1"-14	1257 LBS
C-7424-PK	CYL 4 X 24 DA 16 BR PK (TIE ROD)	4.00"	24.00"	3/8-18	1"-14	1257 LBS
C-7426-PK	CYL 4 X 26 DA 16 BR PK (TIE ROD)	4.00"	26.00"	3/8-18	1"-14	1257 LBS
C-0428-FC	CYL 4" x 28" (ROUND)	4.00"	28.00"	3/8-18	1"-14	1257 LBS
C-0429-FC-PK-1	CYL 4 x 29 FC (ROUND)	4.00"	28.00"	3/8-18	1"-14	1257 LBS
C-0430-PK-1	CYL 4" x 30" (ROUND)	4.00"	30.00"	1/2-14	1"-14	1257 LBS
C-7403-PK	CYL 4 X 30 DA 16 BR PK (TIE ROD)	4.00"	30.00"	3/8-18	1"-14	1257 LBS
C-7436	CYL 4 X 36 DA 16 BR (TIE ROD)	4.00"	36.00"	3/8-18	1"-14	1257 LBS
C-8120-B-PK	CYL 5 X 20 DA 16 BE PK (TIE ROD)	5.00"	20.00"	3/8-18	1"-14	1963 LBS
C-8120-PK	CYL 5 X 20 DA 16 BR PK (TIE ROD)	5.00"	20.00"	3/8-18	1"-14	1963 LBS
C-8024	CYL 5 X 24 DA 16 BR (TIE ROD)	5.00"	24.00"	3/8-18	1"-14	1963 LBS
C-8028	CYL 5 X 28 DA 16 CL (TIE ROD)	5.00"	28.00"	3/8-18	1"-14	1963 LBS
C-8030-A-PK	CYL 5 X 30 DA 16 CL AL PK (TIE ROD)	5.00"	30.00"	3/8-18	1"-14	1963 LBS

### KEY

BE - Block End Mount  
BR - Bracket End Mount  
DA - Double Acting

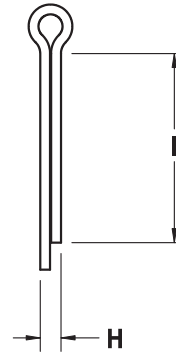
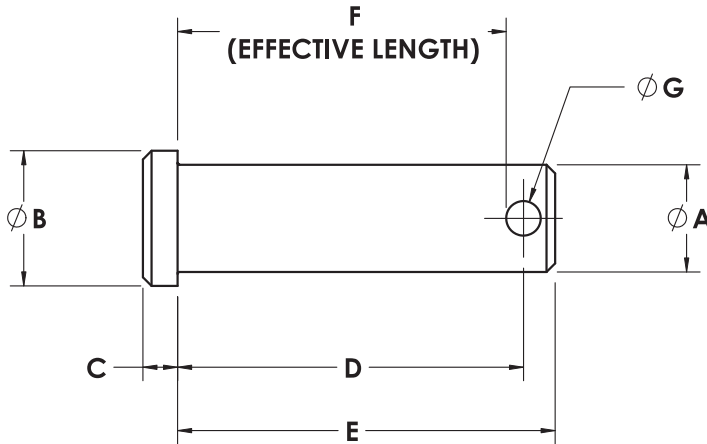
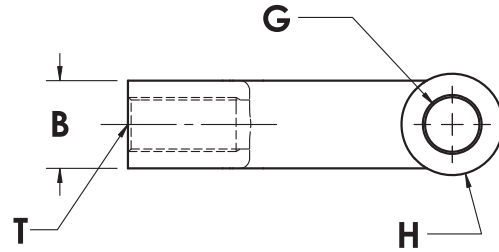
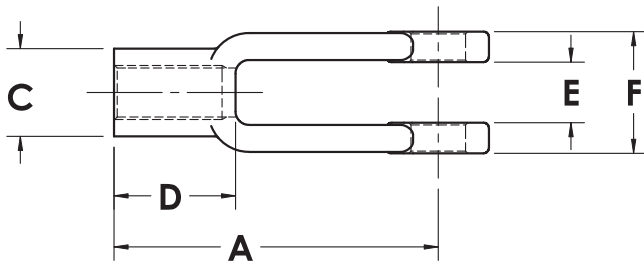
E - Electric Solenoid  
F - Fittings  
HM - Hinge mount

PK - Pin Kit  
S - Stainless Piston Rod  
SE - Spring Extend

SR - Spring Return  
TR - Trunnion Mount

Should you not find what you are looking for, contact us at (918) 622-5600

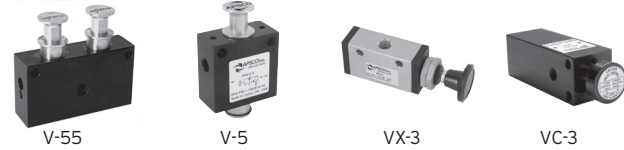
Visit [www.apscopower.com](http://www.apscopower.com) for installation instructions and dimensional drawings



CLEVIS	T	A	B	C	D	E	F	G	H	PIN	COTTER
Part #	Thread Size	End Cent. Pin	Neck Height	Neck Width	Thread Lg	Slot Width	Width	Pin Size	Radius	Part #	Part #
1169	3/8-24 UNF	1.38"	.63"	.63"	.50"	.44"	.88"	.38"	.37"	1204	2357
1201	1/2-20 UNF	3.00"	.81"	.81"	1.13"	.56"	1.13"	.50"	.47"	3163	2357
1299	1/2-20 UNF	1.09"	.88"	1.00"	.47"	.57"	1.00"	.50"	None	1202	2357
5104	1/2-20 UNF	1.75"	.88"	.88"	.50"	.56"	1.26"	.50"	.47"	3163	2357
3162	5/8-18 UNF	1.75"	.88"	.88"	.50"	.56"	1.25"	.50"	.47"	3163	2357
4961	1-14 UNS	3.25"	2.50"	2.50"	1.25"	1.54"	2.50"	1.00"	1.00"	4019	4021
5362	1-14 UNS	3.13"	2.00"	2.00"	1.13"	1.13"	2.00"	.75"	1.00"	3940A	2355
5363	1-14 UNS	3.13"	2.00"	2.00"	1.13"	1.13"	2.00"	1.00"	1.00"	4969	4021
4131	1 1/4-12 UNF	3.75"	2.50"	2.50"	1.50"	1.54"	2.50"	1.00"	1.00"	4019	4021
4910	1 1/4-12 UNF	3.00"	2.50"	2.50"	1.50"	1.54"	2.50"	1.00"	1.00"	4019	4021

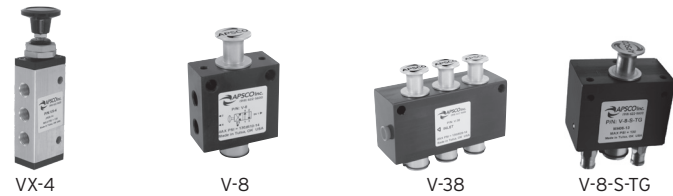
CLEVIS PIN	A	B	C	D	E	F	G	COTTER PIN	H	I
Part #	Part #									
1204	.38"	.50"	.13"	.95"	1.13"	.87"	.16"	2357	.13"	1.18"
1202	.50"	.63"	.16"	1.22"	1.38"	1.14"	.16"	2357	.13"	1.18"
3163	.50"	.63"	.16"	1.35"	1.50"	1.27"	.16"	2357	.13"	1.18"
4542	.50"	.63"	.16"	1.60"	1.75"	1.52"	.16"	2357	.13"	1.18"
3940	.75"	.94"	.25"	1.85"	2.00"	1.77"	.16"	2355	.13"	1.40"
3940A	.75"	.94"	.25"	2.35"	2.50"	2.27"	.16"	2355	.13"	1.40"
4019	1.00"	1.18"	.35"	2.79"	3.00"	2.69"	.21"	4021	.19"	2.00"
4969	1.00"	1.18"	.35"	2.80"	3.00"	2.70"	.20"	4021	.19"	2.00"

Should you not find what you are looking for, contact us at (918) 622-5600  
 Visit [www.apscopower.com](http://www.apscopower.com) for installation instructions and dimensional drawings



## PUSH-PULL 3 WAY VALVE

PART #	DESCRIPTION	MOUNTING	ACTION	PORT	WIDTH	BODY LENGTH	DEPTH	SUPPLY	CYL. TYPE
V-5	2-position, single spool, 3-way	2 thru holes horizontal	push / pull	1/8"	2.00"	2.00"	1.00"	130	S.A.
V-5-S	OBSOLETE Replaced by V-5	2 threaded 32 unf vertical and 2 horizontal thru holes	push / pull	1/8"	2.00"	2.00"	1.00"	130	S.A.
V-55	2-position,dual spool, 3-way	2 horizontal thru holes	push / pull	1/8"	2.00"	2.00"	1.00"	130	S.A.
V-555	2-position, triple spool, 3 way	2 horizontal thru holes	push / pull	1/8"	2.00"	2.00"	1.50"	130	S.A.
V-85	2-position,dual spool. (1) 4-way, (1) 3 way	2 horizontal thru holes	push / pull	1/8"	2.00"	2.00"	1.00"	130	S.A or D.A.
VC-3	2-position,3 way with spring to neutral and lock	2 threaded 10-32 unf vertical and 2 horizontal thru holes	push / pull	1/8"	1.50"	4.00"	1.50"	130	SA
VL-3	OBSOLETE replaced by VX-3	2 horizontal thru holes	push / pull	1/4"	1.75"	4.50"	1.00"	130	S.A.
VX-3	2-position, 3-way valve, w/ 1/4" exhaust ports	2 horizontal thru holes	push / pull	1/4"	1.50"	2.92"	1.00"	130	S.A.



## PUSH-PULL 4 WAY VALVE

PART #	DESCRIPTION	MOUNTING	ACTION	PORT	WIDTH	BODY LENGTH	DEPTH	SUPPLY	CYL. TYPE
VL-5	OBSOLETE, replaced by VX-4	2 horizontal thru holes	Push / Pull	1/4"	1.75"	4.50"	1.00"	130	D.A.
VX-4	2 - positon 4-way with 1/4" exhaust ports	2 horizontal thru holes	Push / Pull	1/4"	1.75"	3.80"	1.00"	130	D.A.
V-85	2 - position, dual spool, (1) 3-way & (1) 4-way	2 horizontal thru holes	Push / Pull	1/8"	2.00"	2.00"	1.00"	130	S.A. or D.A.
V-8	2-position,single spool, 4-way	2 horizontal thru holes	Push / Pull	1/8"	2.00"	2.00"	1.00"	130	D.A.
V-8-S	OBSOLETE, Replaced by V-8	2 threaded 10-32 unf vertical and 2 horizontal thru holes	Push / Pull	1/8"	2.00"	2.00"	1.00"	130	D.A.
V-8-S-TG	2-position, 4-way, ports out bottom with fittings	2 threaded 10-32 unf vertical and 2 horizontal thru holes	Push / Pull	1/8"	2.00"	2.00"	1.50"	130	D.A.
V-88	2-position, dual spool, 4-way	2 horizontal thru holes	Push / Pull	1/8"	3.50"	2.00"	1.00"	130	D.C. OR D.A.
V-88-S	OBSOLETE, Replaced by V-88-S	2 threaded 10-32 unf vertical and 2 horizontal thru holes	Push / Pull	1/8"	3.50"	2.00"	1.00"	130	D.C. OR D.A.
V-38	2-position, triple spool, 4-way	2 horizontal thru holes	Push / Pull	1/8"	1.50"	3.50"	2.00"	130	D.A.
VN-44	OBSOLETE, replaced by VX-4-N	Bulkhead mount and horizontal mounting holes	Push / Pull	1/4"	1.00"	4.50"	1.75"	150	D.A.
VX-4-N	3-position with neutral center position, single spool 4-way 1/4" exhaust ports	Bulkhead mount and horizontal mounting holes	Push / Pull	1/4"	1.00"	4.58"	1.50"	150	D.A.

Should you not find what you are looking for, contact us at (918) 622-5600  
 Visit [www.apscopower.com](http://www.apscopower.com) for installation instructions and dimensional drawings



## AIR TOGGLE VALVE

PART #	DESCRIPTION	MOUNTING	POSITIONS	ACTION	PORTS	WIDTH	BODY LENGTH	OVERALL LENGTH	DEPTH	SUPPLY	CYL. TYPE
VTS-1	3-position	3/4" Bulkhead	M/N/M	Toggle	(3) 1/8" ports	1.50"	1.52"	3.03"	.75"	125	S.C
VTS-2	2-position	5/8" Bulkhead	ON / OFF	Toggle	(3) 1/8" ports	1.25"	1.75"	3.23"	.63"	125	D.A
VTS-9	3-position	3/4" Bulkhead	FD/N/FD	Toggle	(3) 1/8" ports	1.50"	1.52"	3.03"	.75"	125	S.C
VTS-11	3-position	3/4" Bulkhead	FD/N/M	Toggle	(3) 1/8" ports	1.50"	1.52"	3.03"	.75"	125	S.C
VTS-21	3-position	5/8" Bulkhead	FD/N/M	Toggle	(3) 1/8" ports	.88"	1.06	2.44"	.63"	125	S.C
VTS-29	3-position	5/8" Bulkhead	FD/N/FD	Toggle	(3) 1/8" ports	.88"	1.06	2.44"	.63"	125	S.C
4141	3-position	5/8" Bulkhead	M/N/M	Toggle	(3) 1/8" ports	.88"	1.06	2.44"	.63"	125	S.C
4770	2-position	5/8" Bulkhead	ON / OFF	Toggle	(3) 1/8" ports	1.25"	1.67"	2.73"	.63"	125	D.A
4883	Switch guard 5/8"										
6075	Switch guard 3/4"										

## AIR ROCKER VALVES

PART #	APPLICATION	DESCRIPTION	POSITIONS	ACTION	PORT	CLY TYPE
VR-10-A	Blank	Air Rocker	On / Off	Rocker	1/4"	S.A.
VR-9-S	PTO	Air Rocker	Engage / Disengage W/ Lock	Rocker	1/4"	S.A.
4559	Back light VR-9-S	Wire harness				

## ELECTRICAL ROCKERS

PART #	LABEL	DESCRIPTION	POSITIONS	ACTION	OPENING
VR-2-ET	Unlock / Tailgate/lock	Electric Rocker	On / Off	Rocker	.870" X 1.735"
VR-3-EH	Raise / Lower	Electric Rocker	On / Off	Rocker	.870" X 1.735"
VR-4-EV	Vibrator	Electric Rocker	Momentary	Rocker	.870" X 1.735"
VR-5-EP	Engage / Diesengage	Electric Rocker w/ Guard	On / Off	Rocker	.870" X 1.735"
VR-6-EST	Strobe	Electric Rocker	On / Off	Rocker	.870" X 1.735"
VR-7-EWL	Work Light	Electric Rocker	On / Off	Rocker	.870" X 1.735"
VR-8-EHL	High / Low	Electric Rocker	On / Off	Rocker	.870" X 1.735"
VR-13-E	On / Off / On	Electric Rocker	M / N / M	Rocker	.870" X 1.735"
VR-14-EO	On / Off	Electric Rocker	On / Off	Rocker	.870" X 1.735"
VR-15-BL	Blank	Electric Rocker	On / Off	Rocker	.870" X 1.735"
VR-16-MT	Open / Close	Electrical Rocker	M / N / M	Rocker	.830" X 1.450"

## SPECIALTY VALVES

PART #	DESCRIPTION	ACTION	PORT	WIDTH	BODY LENGTH	DEPTH	SUPPLY	CYL. TYPE
VM-2-X	Metering valve w/ rotating handle	Lever	1/8"	2.50"	7.25"	1.75"	130	S.A.
V-44-APSR	Obsolete - replaced by VX-4-AP	Air Pilot	1/4"	1.50"	4.00"	.75"	130	D.A.
VX-4-AP	4-way air pilot w/spring return	Pilot	1/4"	1.50"	4.55"	1.00"	130	D.A.
VX-4-APS	4-way air pilot shuttle w/spring return	Shuttle / Pilot	1/4"	1.50"	4.55"	1.00"	130	D.A.
V-5-B	3-way limit valve for hydraulic telescopic cylinders	Limit valve	1/8"	2.00"	2.00"	1.00"	130	Hydraulic
V-8-B	4-way limit valve for hydraulic telescopic cylinders	Limit valve	1/8"	2.00"	2.00"	1.00"	130	Hydraulic
VS-1-R	3-way single delivery w/ fittings	Shuttle valve	1/8"	1.50"	2.00"	1.00"	130	S.A.
VS-2-R	4-way double delivery w/ fittings	Shuttle valve	1/8"	2.75"	2.00"	1.00"	130	D.A.
PP-470	Pressure protection valve		1/4"					open @ 70psi close @ 65 psi

## ELECTRIC SOLENOID VALVES

PART #	DESCRIPTION	ACTION	PORT	WIDTH	BODY LENGTH	DEPTH	SUPPLY	CYL. TYPE
VE-1	OBSOLETE replaced by VE-31	Solenoid valve. 12V V.D.C	1/4"	1.75"	1.00"	5.00"	130	S.A
VE-31	3-way, 2 position, high flow	Solenoid valve. 12V V.D.C	1/4"	1.90"	1.19"	6.00"	130	S.A
VE-2	4 way, 2 position	Solenoid valve. 12V V.D.C	1/4"	1.50"	1.00"	4.75"	130	D.A
VE-2-3W	3 way, 2 position	Solenoid valve. 12V V.D.C	1/4"	1.50"	1.00"	4.75"	130	D.A
VL-5-ES	4 way valve, push / pull	Solenoid valve. 12V V.D.C	1/4"	1.75"	2.00"	5.50"	130	D.A

Should you not find what you are looking for, contact us at (918) 622-5600

Visit [www.apscopower.com](http://www.apscopower.com) for installation instructions and dimensional drawings

## ACT-5 AIR COMPRESSOR KIT

The ACT-5 Kit is the solution for operating pneumatic controls for trucks without air brakes. The ACT-5 Kit comes complete with compressor, reservoir tank, wire, tubing and fittings.



### Specifications

Voltage	12 Volts
Max. Amperage	23 Amps
Max. Intermittent Pressure	150 PSI
Max. Duty Cycle @ 100PSI	20% (5 Min. On/ 20 Min. Off @ 23 C)
Max. Restart Pressure	200 PSI
Tank Capacity	2 Gallons

@PSI	0	20	40	60	80	100	120	140	150
Flow Rate / CFM	1.94	1.45	1.27	1.13	0.99	0.85	0.76	0.64	0.60
AMP Draw	13	17	19	20	21	21	21	20	20

## SEAL KITS

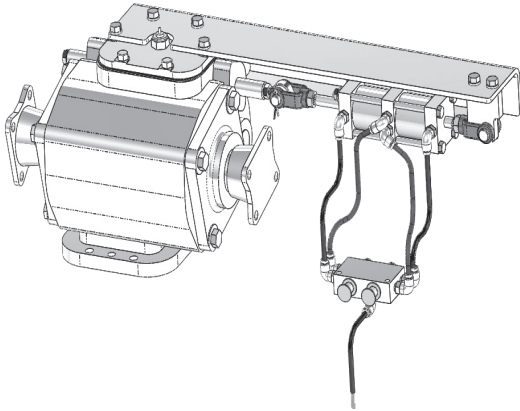
ASSEMBLY	SEAL KIT
C-2000 SERIES	SK-3109
C-3000 SERIES	SK-1700
C-3503-DM	SK-3503
C-3505-DM	SK-3329-DM
C-3508-DM	SK-4266
C-3514-DM	SK-5334
C-3514-DM-BR	SK-5334
C-3520-DM	SK-4084
C-3522-DM	SK-4084
C-3525-DM	SK-5340
C-3526-DM	SK-4170
C-3535-DM	SK-4065
C-3540-DM	SK-4171
C-3542-DM	SK-4084
C-3551-DM	SK-3551
C-3560-DM	SK-4084
C-3570-DM	SK-4084
C-3590-DM	SK-4084
C-3805-DM	SK-4814
C-3820-DM	SK-4833
C-3835-DM	SK-4833
C-4000 SERIES	SK-1240
C-4000-D SERIES	SK-1243
C-4233	SK-4052
C-4234	SK-4052
C-4235	SK-4052

ASSEMBLY	SEAL KIT
C-4236	SK-4052
C-4237	SK-4052
C-4238	SK-4199
C-4239	SK-4199
C-4800-F	SK-1536
C-5000 5/8" ROD & WIPER	SK-2609
C-5000 SERIES	SK-1245
C-5000-D SERIES	SK-1246
C-5064	SK-4102
C-5450	SK-3107
C-6000 1" ROD	SK-3037
C-6000 3/4" ROD	SK-1779
C-6000 5/8" ROD	SK-5482
C-6063	SK-3178
C-6128 1-1/4" ROD	SK3853
C-6224-PK-M	SK-4974
C-6512	SK-5002
4"ROUND 1-1/4" ROD	SK-5361
C-7400 1" ROD	SK-3968
C-7400 1-1/4" ROD	SK-3909
C-8000 1" ROD	SK-3688
C-8000 1-1/4" ROD	SK-4009
C-9500-C-9600 1-1/4" ROD	SK-2836
C-9800 SERIES 1-3/4" ROD	SK-4665
VM-7 SEAL KIT	SK-VM-7-A
VM-7-REBUILD KIT	SK-VM-7-B

Should you not find what you are looking for, contact us at (918) 622-5600

Visit [www.apscopower.com](http://www.apscopower.com) for installation instructions and dimensional drawings





**Features**

APSCO's PTO control kits are easy to install and provide operator efficiency. Available in two, three and four positions our kits are supplied complete with cylinder, control valve, tubing, fittings and mounting hardware. If you do not see the PTO application you need listed below, please call us at (918) 622-5600

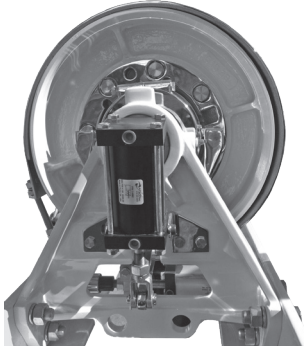
MANUFACTURER	APPLICATION	KIT NUMBER
Parker. Chelsea	860, 861, 862, 863	PC-7 (Obsolete), use PC-7-2
Parker. Chelsea	860, 861, 862, 863	PC-7-2
Muncie	838	PMV-8

# CLUTCH KITS

**Features**

APSCO's Vehicle clutch control kits provide positive control of the vehicle clutch from one or two remote locations. Actuated from the cab, or "bed side", our clutch control kits provide engaging and disengaging of the vehicle clutch. All kits are complete with an APSCO spring return cylinder, 3-Way control valve, tubing and fittings.

KIT NUMBER	STROKE	VALVES
CL-3	3"	C-5050-RP
CL-4	4 1/2"	C-5025-RP
CL-6	6"	C-5045-RP



### Features

APSCO Inc pioneered the use of air controls for winches in the 1960's. Our understanding of the application and the harsh operating environments position us as the first and only choice among leading winch manufacturers. All of our winch kits are tailored to specific winch designs and include clutch cylinders, brake cylinders, controls, tubing, fitting and all the required hardware for mounting.

KIT NUMBER	STROKE	VALVES
<b>Tulsa Winch KIT #</b>	<b>Metering or Non-Metering</b>	<b>WINCH APPLICATION OLD / NEW MODEL</b>
<b>WT-23</b>	<b>Non-Metering</b>	23 / RN20WM
<b>WT-23-M</b>	<b>Metering</b>	23 / RN20WM
<b>WT-34</b>	<b>Non-Metering</b>	34 / RN30WM
<b>WT-34-M</b>	<b>Metering</b>	34 / RN30WM
<b>WT-64</b>	<b>Non-Metering</b>	64 / RN45WM
<b>WT-64-M</b>	<b>Metering</b>	64 / RN45WM
<b>WT-70</b>	<b>Non-Metering</b>	70 / RN65WM
<b>WT-70-M</b>	<b>Metering</b>	70 / RN65WM
<b>WT-80</b>	<b>Non-Metering</b>	80 / RN100WM
<b>WT-80-M</b>	<b>Metering</b>	80 / RN100WM
<b>Braden Winch KIT #</b>	<b>Metering or Non-Metering</b>	<b>WINCH APPLICATION OLD / NEW MODEL</b>
<b>WBR-3</b>	<b>Non-Metering</b>	AHSU3
<b>WBR-5</b>	<b>Non-Metering</b>	AMGU5
<b>WBR-7</b>	<b>Non-Metering</b>	AMS7-15B
<b>WBR-716</b>	<b>Non-Metering</b>	AMU7-16F
<b>WBR-10</b>	<b>Non-Metering</b>	AMS10-18B
<b>WBRU-12</b>	<b>Non-Metering</b>	AMSU12-12F
<b>WBR-12</b>	<b>Non-Metering</b>	MS-12
<b>WBR-18</b>	<b>Non-Metering</b>	PD-18
<b>WBR-18-B</b>	<b>Non-Metering</b>	PD-18-B
<b>WBR-20</b>	<b>Non-Metering</b>	AMS20
<b>WBR-20-M</b>	<b>Metering</b>	AMS20
<b>WBR-30</b>	<b>Non-Metering</b>	MS30
<b>WBR-30-M</b>	<b>Metering</b>	MS30
<b>WBR-50</b>	<b>Non-Metering</b>	MS50
<b>WBR-50-M</b>	<b>Metering</b>	MS50
<b>WBM-150</b>	<b>Non-Metering</b>	MI50A
<b>WBR-CL</b>	<b>Non-Metering</b>	CL-3L-1
<b>Universal Mount, Winch Control KIT #</b>	<b>Metering or Non-Metering</b>	<b>WINCH APPLICATION OLD / NEW MODEL</b>
<b>W-1</b>	<b>Non-Metering</b>	Winch Clutch
<b>W-2</b>	<b>Non-Metering</b>	Winch Clutch (HD)
<b>W-4</b>	<b>Non-Metering</b>	Winch drum brake
<b>W-7</b>	<b>Non-Metering</b>	Winch drum brake (HD)
<b>W-12-M</b>	<b>Metering</b>	Clutch and Brake
<b>W-14</b>	<b>Non-Metering</b>	Clutch and Brake
<b>W-14-M</b>	<b>Metering</b>	Clutch and Brake
<b>W-27</b>	<b>Non-Metering</b>	Clutch and Brake (HD)
<b>W-27-M</b>	<b>Metering</b>	Clutch and Brake (HD)

Should you not find what you are looking for, contact us at (918) 622-5600

Visit [www.apscopower.com](http://www.apscopower.com) for installation instructions and dimensional drawings

REV	REVISIONS	APPROVAL	DATE

**APSCO Inc**  
8178 EAST 44TH STREET  
TULSA, OK 74145

DATE: 9/01/2010    APPROVED: LC

CYLINDER SPECS

UNLESS OTHERWISE SPECIFIED  
DIMENSIONS ARE IN INCHES  
DECIMALS: 1/16"    ANGLES: 1/4"  
TOLERANCES: FRACTIONS: 1/32"    DECIMALS: .001"    .005"    .010"    .015"    .020"    .030"    .040"    .050"    .060"    .070"    .080"    .090"    .100"    .125"    .150"    .175"    .200"    .250"    .300"    .375"    .500"    .625"    .750"    .875"    1.000"

THIS MATERIAL IS THE PROPERTY OF APSCO POWER SYSTEMS, LTD. AND IS NOT TO BE REPRODUCED OR TRANSMITTED IN ANY FORM OR BY ANY MEANS, ELECTRONIC OR MECHANICAL, INCLUDING PHOTOCOPYING, RECORDING, OR BY ANY INFORMATION STORAGE AND RETRIEVAL SYSTEM. ALL RIGHTS IN THE SUBJECT MATTER BEING HEREBY RESERVED. APSCO POWER SYSTEMS, LTD. DOES NOT GRANT ANY PERMISSION OR AUTHORITY TO ANY OTHER PARTY TO REPRODUCE OR TRANSMIT THIS INFORMATION OR PROPRIETARY INFORMATION IN ANY MANNER OR BY ANY MEANS, ELECTRONIC OR MECHANICAL, INCLUDING PHOTOCOPYING, RECORDING, OR BY ANY INFORMATION STORAGE AND RETRIEVAL SYSTEM. THIS PERMISSION IS LIMITED TO THE SPECIFIC PROJECT AND IS NOT TO BE GRANTED TO ANY OTHER PARTY WITHOUT THE WRITTEN CONSENT OF APSCO POWER SYSTEMS, LTD. OR ITS DIVISIONS OR SUBSIDIARIES.

DO NOT SCALE DRAWING

SIZE: B    CASE CODE: 4V549    DRAWING NO: CYL SPEC    REV: -

SHEET 1 of 1

Should you not find what you are looking for, contact us at (918) 622-5600  
 Visit [www.apscopower.com](http://www.apscopower.com) for installation instructions and dimensional drawings



# PARTS INDEX

PART #	SECTION #	PART #	SECTION #	PART #	SECTION #	PART #	SECTION #
1169	9	ALC-100	5	C-3527-DM	2	C-6009-PK	7
1201	9	ALC-110	5	C-3531-DM	2	C-6010	7
1202	9	AV-195	1	C-3535-DM	2	C-6011-PK	7
1204	9	AV-195-DMH	1	C-3540-DM	2	C-6023-PK	7
1299	9	AV-295	1	C-3542-DM	2	C-6053S-PK	7
1843	10	AV-295	1	C-3546-DM	2	C-6057-PK	7
3162	9	AV-295-M	1	C-3551-DM	2	C-6059-E-PK	7
3163	9	AVC-195-13	1	C-3552-DM	2	C-6059-E-PK-WP	7
3940	9	AVC-195-8	1	C-3560-DM	2	C-6059-F-PK	7
4019	9	AVC-195-DMH-13	1	C-3570-DM	2	C-6063	7
4131	9	AVC-195-DMH-8	1	C-3572-DM	2	C-6080	7
4141	10	AVC-195-TG-13	1	C-3578-DM	2	C-6081-PK	7
4423	OBSOLETE	AVC-195-TG-8	1	C-3590-DM	2	C-6084-PK	7
	Replaced by 6000	AVC-295-13	1	C-3805-DM	2	C-6086-PK	7
4432	5	AVC-295-8	1	C-3820-DM	2	C-6089-PK	7
4464	4	AVC-295-DMH-13	1	C-3826-DM	2	C-6090-PK	7
4542	9	AVC-295-DMH-8	1	C-3832-DM	2	C-6092-HM	7
4559	10	AVC-295-M-13	1	C-3832-DM-CS	2	C-6224-PK-M	8
4648	4	AVC-295-M-8	1	C-3833-DM	2	C-7402-B-PK	8
4770	10	AVC-295-M-T-13	1	C-3834-DM	2	C-7402-PK	8
4883	10	AVC-295-M-T-8	1	C-3835-DM	2	C-7403-PK	8
4910	9	AVC-295-M-TG-13	1	C-3836-DM	2	C-7404-PK	8
4961	9	AVC-295-M-TG-8	1	C-3840-DM	2	C-7421-PK-M	8
4969	9	AVC-295-T-13	1	C-3841-DMEC	2	C-7424-B	8
5104	9	AVC-295-T-8	1	C-3845-DM-CC	2	C-7424-PK	8
5362	9	AVC-295-TG-13	1	C-3846-DM	2	C-7426-PK	8
5363	9	AVC-295-TG-8	1	C-3850-DM	2	C-7436	8
5582	10	AVC-295-TGMT-13	1	C-3872-DM	2	C-8024	8
6000	5	AVC-295-TGMT-M-13	1	C-3880-DM	2	C-8028	8
6075	10	C-0406-PK	7	C-3893-DM	2	C-8030-A-PK	8
6378	10	C-0410-SR	7	C-3894-DM	2	C-8120-B-PK	8
6650	10	C-0411-SR	7	C-5025-RP	12	C-8120-PK	8
6651	10	C-0424-PK	8	C-5026-PK	7	CON-3	5
6652	10	C-0424-PK-1	8	C-5026S-PK	7	CON-3A	5
8122	10	C-0428-FC	8	C-5045-RP	12	CON-3A-25	5
8219	10	C-0429-FC-PK-1	8	C-5050RP	12	CON-3AE	5
8220	10	C-0430-PK-1	8	C-5070-PK	7	CON-3AE-25	5
3239-13	1	C-2529	2	C-5070S	7	CONB-1-R	4
3239-8	1	C-2533	2	C-5072	7	CONB-1-S	4
3239-6	1	C-3503-DM	2	C-5075-PK	7	CONB-1-S8	4
3239-W13	1	C-3505-DM	2	C-5080	7	CONB-2	4
3239-W8	1	C-3508-DM	2	C-5081-PK	7	CONB-2-R	4
3239-W6	1	C-3514-DM	2	C-5091	7	CONB-3-R	4
3940A	9	C-3520-DM	2	C-5092-PK	7	CONB-4	4
4653-8	1	C-3522-DM	2	C-5094	7	CONB-Q	4
6025782-001	2	C-3525-DM	2	C-5331-PK	7	CONV-APS-1	4
6026778-001	2	C-3526-DM	2	C-5450	7	CONV-APS-5	4
ACT-5	12	C-3526-DMK4	2	C-6004	7	CONV-APS-7	4
						CONV-UNI-4	4
						EC-PT0	1, 2
						HG-75	2
						HGS-75	2
						LLSV-1	OBSOLETE
							Replaced by LLSV-1-E
						LLSV-1-AP	10
						LLSV-1-E	10
						LLSV-2-AP	10
						LLSV-2-E	10
						PC-7	OBSOLETE
							Replaced by PC-7-2
						PC-7-2	12
						PED-10-3-11	6
						PED-10-3-11-2P	6
						PED-10-3-15	6
						PED-10-3-15-2P	6
						PED-4-11	6
						PED-4-11-2P	6
						PED-4-15	6
						PED-4-15-2P	6
						PED-6-11	6
						PED-6-11-2P	6
						PED-6-15	6
						PED-6-15-2P	6
						PED-8-11	6
						PED-8-11-2P	6
						PED-8-15	6
						PED-8-15-2P	6
						PMV-8	12
						PP-470	10
						RK-6000	5
						SK-1240	11
						SK-1243	11
						SK-1245	11
						SK-1246	11
						SK-1536	11
						SK-1700	11
						SK-1779	11
						SK-2609	11
						SK-2836	11
						SK-3037	11
						SK-3107	11
						SK-3109	11
						SK-3178	11
						SK-3329-DM	11
						SK-3503	11
						SK-3551	11

Should you not find what you are looking for, contact us at (918) 622-5600  
 Visit [www.apscopower.com](http://www.apscopower.com) for installation instructions and dimensional drawings

PART #	SECTION #	PART #	SECTION #	PART #	SECTION #	PART #	SECTION #
SK-3688	11	VE-2	10	VRN-ML-1	10	WBR-3	13
SK-3853	11	VE-2-3W	10	VRN-PTO-1	10	WBR-30	13
SK-3909	11	VE-31	10	VRN-SL-1	10	WBR-30-M	13
SK-3968	11	VL-3	OBSOLETE	VRN-ST-1	10	WBR-5	13
SK-4009	11	Replaced by VX-3		VRN-TG-1	10	WBR-50	13
SK-4052	11	VL-5	OBSOLETE	VRN-TGL-1	10	WBR-50-M	13
SK-4065	11	Replaced by VX-4		VRN-TP-1	10	WBR-7	13
SK-4084	11	VL-5-ES	5, 10	VRN-V-1	10	WBR-716	13
SK-4102	11	VM-10	3	VRN-WL-1	10	WBR-CL	13
SK-4170	11	VM-10-C	3	VRN-WP-1	10	WBRU-12	13
SK-4171	11	VM-10-R	3	VS-1-R	10	WT-23	13
SK-4199	11	VM-10-W	3	VS-2-R	10	WT-23-M	13
SK-4266	11	VM-11	3	VTS-1	OBSOLETE	WT-34	13
SK-4665	11	VM-12	3	Replaced By VTS-1x		WT-34-M	13
SK-4814	11	VM-12-SD	3	VTS-11	OBSOLETE	WT-64	13
SK-4833	11	VM-13	3	Replaced By VTS-11x		WT-64-M	13
SK-4974	11	VM-15	3	VTS-11x	10	WT-70	13
SK-5002	11	VM-2-X	10	VTS-1x	10	WT-70-M	13
SK-5334	11	VM-7	3	VTS-2	10	WT-80	13
SK-5340	11	VM-8	3	VTS-21	10	WT-80-M	13
SK-5361	11	VM-8-SD	3	VTS-21	10		
SK-5482	11	VM-9	3	VTS-29	10		
SK-VM-7-A	11	VM-9-SD	3	VTS-29	10		
SK-VM-7-B	11	VN-44	OBSOLETE	VTS-2x	coming 2020		
V-38	10	Replaced by VX-4-N		VTS-9	OBSOLETE		
V-44-APSR	OBSOLETE	VR-10-A	10	Replaced By VTS-9x			
. Replaced by VX-4-AP		VR-13-E	10	VTS-9x	10		
V-5	10	VR-14-E0	10	VX-3	10		
V-55	10	VR-15-BL	10	VX-4	5, 10		
V-555	10	VR-16-MT	10	VX-4-AP	10		
V-5-B	10	VR-2-ET	10	VX-4-APS	10		
V-5-S	OBSOLETE	VR-3-EH	10	VX-4-N	10		
. . . . Replaced by V-5		VR-4-EV	10	W-1	13		
V-8	10	VR-5-EP	10	W-12-M	13		
V-85	10	VR-6-EST	10	W-14	13		
V-88	10	VR-7-EWL	10	W-14-M	13		
V-88-S	OBSOLETE	VR-8-EHL	10	W-2	13		
Replaced by V-88		VR-9-S	10	W-27	13		
V-8-B	10	VRN-BC-1	10	W-27-M	13		
V-8-S	OBSOLETE	VRN-BH-1	10	W-4	13		
Replaced by V-8		VRN-BLANK	10	W-7	13		
V-8-S-LK	10	VRN-DD-1	10	WBM-150	13		
V-8-S-TG	10	VRN-HL-1	10	WBR-10	13		
V-8-S-TGL	10	VRN-LA	10	WBR-12	13		
V-8-TG	10	VRN-LA-1	10	WBR-18	13		
VC-3	10	VRN-LA-2	10	WBR-18-B	13		
VE-1	OBSOLETE	VRN-LA-3	10	WBR-20	13		
Replaced by VE-31		VRN-LA-4	10	WBR-20-M	13		

Should you not find what you are looking for, contact us at (918) 622-5600  
 Visit [www.apscopower.com](http://www.apscopower.com) for installation instructions and dimensional drawings